

P7500S Card Printer

Advanced Identification Printer

Over-the-Edge Printing

Brilliant, High-Definition Images

Single and Dual-Sided Printing & Lamination

Custom, High-Security Laminates & UV Printing

Print on Technology Cards with Uneven Surfaces

Optional Magnetic Stripe and Smart Card Encoding



The Retransfer *Polaroid* ID Card Printer

identify.

P7500S Card Printer

The single or dual-sided *Polaroid* P7500S Retransfer Printer is the most reliable printer in its class producing vivid, high-definition images. The printed cards are durable and display consistent colors and a sharp resolution. The P7500S is sold globally for applications ranging from high-volume national ID projects to small retail outlets issuing low volume gift card programs. Combine the P7500S printer with an inline encoder or lamination option from the extensive *Polaroid* selection: contact/contactless, single or dual-sided laminator, magnetic stripe. The *Polaroid* portfolio allows you to configure the printer to meet the exact program requirements or add those features as the card program expands. The result is an easy-to-use card printer that produces photo-like images printed on various card materials for customers in all industries.

The P7500S printer uses retransfer technology that is unlike the direct-to-card process which utilizes a printhead that prints directly through a ribbon onto a card. Retransfer technology prints to a transparent film which is then applied to the card. The retransfer process provides benefits that are unachievable in direct printing.

High Definition

Superior image quality and print resolution

Supports a Wide Variety of Card Printing

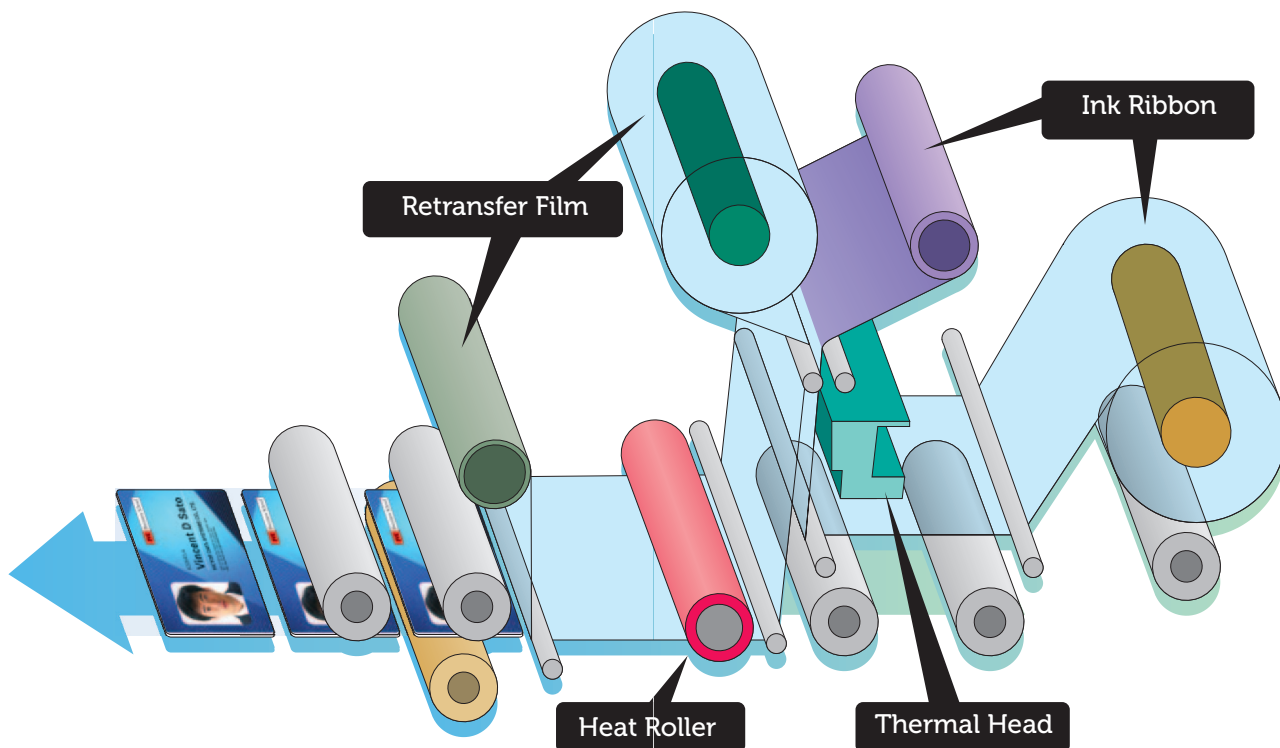
Print on uneven card surfaces such as smart cards which are gaining popularity

Greater Card Type Selection

Print on PVC and non-PVC such as ABS, PET, and Polycarbonate

Over-the-Edge Card Printing

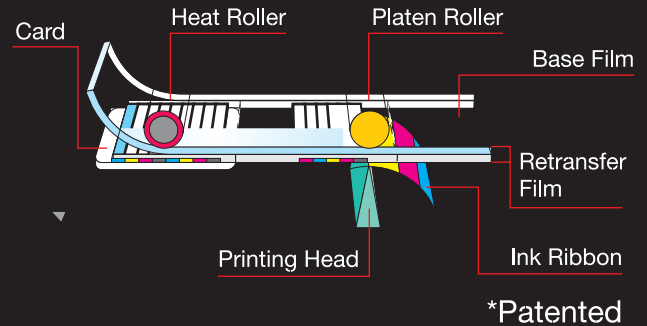
Achieve edge-to-edge quality by printing on retransfer film and then transferring the image



Features of the Dye-Sublimation Retransfer Printer

High-Speed/High-Quality Printing

- **Fastest Printing** - Fastest retransfer printer*
*100 cards/hr high-speed printing (YMCK one side)
- **High Resolution** - Advanced head heating adjustment technology for photo finish printing
- **High Durability** - Durable mechanism supports continuous high-quality production



Supports a Wide Variety of Card Printing

Wide variety of card materials

Print on a variety of card materials including long-lasting, durable non-PVC cards such as ABS, PET, and Polycarbonate.



Direct printing method



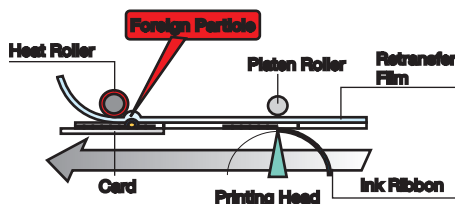
Retransfer printing method

Print cards with uneven surfaces

Print on uneven surfaces of smart cards containing microelectronics.

Print head friendly

The print head does not contact the card surface directly; foreign particles cannot cause damage to the print head.



Bend remedy

Advanced bend remedy function for single or dual-sided card printing provides straightened printed cards.

Security Erase

The P7500S incorporates a mechanism that erases the remaining image from the used ink ribbon.

To protect disclosure of individual information, the Polaroid P7500S incorporates a mechanism to render the remaining image on the K (black) dye panel illegible.

Supported Ribbons:
YMCK, YMCKK, YMCKUV



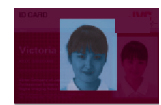
ink ribbon after Security Erase

Sublimation UV

Utilize retransfer printing with sublimation UV and the printed UV image cannot be seen under normal light.



Normal light



When exposed to black light

1-866-ID PHOTO
Polaroid-ID.com

identify.

EXCLUSIVELY FROM SCREENCHECK

SPECIFICATIONS

PRINTING METHOD	Retransfer dye-sublimation
PRINTING SPEED	Approx: Color 100 cards / hour YMCK single-sided
PRINTING SIDE	Single or dual-sided (model selection)
CARDS SUPPORTED	Card Size ISO CR80 .25mm to 1.0mm
	Card Material PVC / PET / PET-G / PC / ABS
CARD STORAGE CAPACITY (ISO CR80, ISO 7810)	100 cards (restock card hopper during print process)
INTERFACE	USB, Ethernet
SOFTWARE DRIVERS	Compatible with Windows 7 [®] , Vista [™] , XP [™] , 2000 [™]
OPERATING ENVIRONMENT	50°F to 85°F (10°C to 30°C)
POWER SUPPLY	100V - 1290V AC (auto-detect)
WEIGHT	Single-sided: 29.75 lbs, 13.5 kg (without optional equipment); Dual-sided: 34.1 lbs, 15.5 kg (without optional equipment)
EXTERNAL DIMENSIONS	13.5" x 13.75" x 15" (L x W x H); 343mm x 347mm x 381mm (L x W x H)
DYE FILM (must use in conjunction with retransfer film)	YMCK 1000 images (with RFID & security erase)
	YMCKK 750 images (with RFID & security erase)
	YMCuvK 750 images (with RFID & security erase)
	Retransfer Film 1000 images
CARD SECURITY	Security lock and security slot are Kensington Lock compatible
SUPPORTED LAMINATOR	Single-sided CL700S, Dual-sided CL700D
INTERNAL OPTIONS	ISO 7810 & 7811 Magnetic encoder, IC contact based on ISO 7816 (factory setting)
EXTERNAL OPTIONS	Contactless encoding / Lamination unit (single or dual)
WARRANTY	Three year manufacturer's warranty including parts and labor (lifetime printhead warranty)

OPTIONS

CL700 Laminator

Combine the CL700 lamination module to the P7500S printer to create durable laminated cards for additional security.

Supports a wide range of SecureShield™ (0.6 mm, 1.0 mm) hologram film. 11-stage speed adjustment and temperature adjustment achieves the optimum settings for various card format types.



Security Lock

Lock function to secure card hopper and front door which prohibits access to supplies and consumables. Lock and unlock from the host PC.

Encoding Options

- Encoder units for ISO magnetic stripe HiCo and LoCo
- Contact/Non-contact IC R/W mounting board and mounting space - field upgradable encoder format: Mifare, DESFire, HID iCLASS, Legic, etc...

LAMINATING MODULE

SUPPORTED PRINTERS	P7500S
LAMINATION METHOD	Thermal transfer
LAMINATION SIDE	Single or dual-sided simultaneous (model selection)
INTERFACE	IR wireless connection (adaptor included)
CARD SIZE	CR80
CARD THICKNESS	.76mm
CARD MATERIAL	PVC / ABS / PET / Polycarbonate / PET-G
CARD STACKER	100 cards
LAMINATION FILM	600 patches per holographic laminate roll
LOCK	Mechanical door lock and security slot for Kensington Lock
POWER SUPPLY	AC 100V - 120V / 200V - 240V
WEIGHT	Dual-sided model: 15lbs (7.2kg)
EXTERNAL DIMENSIONS	8.3" x 12.7" x 14.2" (W x D x H); 210mm x 322mm x 360mm (W x D x H)

Copyright © 2010 All Rights Reserved
Polaroid, Polaroid & Pixel, and SecureShield are trademarks of PLR IP Holdings, LLC, used under license. All other trademarks are the property of the respective owner, who has not sponsored, endorsed or approved this product. PLR IP Holdings, LLC does not manufacture this product or provide any Manufacturer's Warranty or support.

1-866-ID PHOTO
Polaroid-ID.com

identify.

EXCLUSIVELY FROM SCREENCHECK

SCREEN
CHECK